

VRX918SP 18" Bass Reflex Powered Subwoofer

Key Features:

- ▶ Built-in JBL DrivePack® DPC-2 amplifier module designed by Crown provides 1500 Watts of peak power. DSP based resident input module provides system optimization, EQ and crossover functionality.
- ▶ 18 inch, 2268FF dual voice coil, neodymium magnet Differential Drive® woofer for high-power capacity and light-weight.
- ▶ Integral rigging hardware for simple connection of enclosures and optional array frame.
- ▶ 20 mm threaded pole socket for solid, secure satellite speaker mounting.
- ▶ Large port area for reduced distortion.

Applications:

- ▶ Music playback and sound reinforcement.
- ▶ Entertainers, corporate A/V professionals and sound system hire companies.
- ▶ Permanent Installation.

The VRX918SP is a powered, suspendable subwoofer system containing a 2268FF neodymium magnet, patented Differential Drive®, 18" woofer in a front-loaded, vented enclosure. The VRX918SP was designed specifically for use in arrays with the VRX932LAP Line Array speaker and VRX-AF Array Frame. In addition it may also be used in arrays consisting entirely of VRX918SP subwoofers.

Equally at home in ground stacked applications, the VRX918SP is equipped with a top-mounted, threaded, 20 mm socket that can receive the optional SS4-BK pole. This adjustable height pole can be used to mount speakers equipped with standard 36 mm pole sockets and weighing up to 50 kg (100 lb). The threaded socket minimizes buzzing and rattling and assures that the pole will be secure and straight.

The enclosure is constructed of top quality birch plywood, coated in JBL's rugged DuraFlex™ finish and is heavily braced to maximize low-frequency performance. The attractive CNC-machined, 16-gauge steel grille is internally lined with acoustically transparent foam to provide additional driver protection and give a very professional appearance. The rear of the enclosure is fitted with T-nuts which may be used to attach the optional WK-4S caster kit.



Specifications:

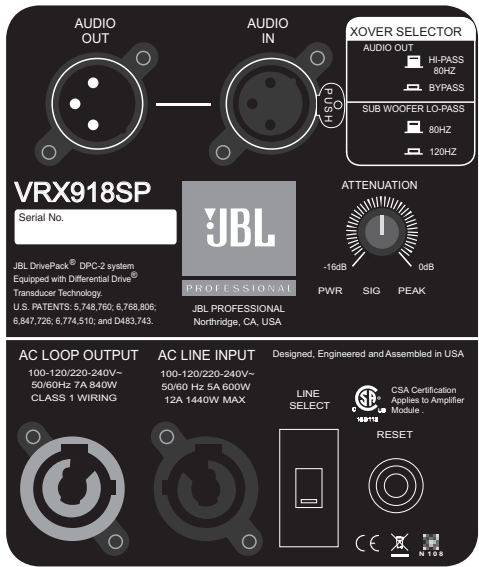
Frequency Range (-10 dB):	31 Hz - 220 Hz
Frequency Response (±3 dB):	34 Hz - 220 Hz
Maximum Peak Output ¹ :	126 dB SPL at 1m
LF Driver:	1 x JBL 2268FF 457 mm (18 in) dual voice coil Differential Drive® woofer with neodymium-magnet
Bandpass Nominal Impedance:	LF: 2 x 2 ohms
DPC-2 Internal Amplification	
Output (at nominal load):	1500 Watts Peak, 750 Watts Continuous
DPC-2 Output as (Continuous IEC shaped pink noise into rated load impedance):	LF: 750 Watts
DPC-2 Output Section:	LF: Dual-Bridged Technology™, Class D
Audio Input Connector:	XLR with loop through
User Controls:	Input Attenuator (0-16 dB) Selectable 80 Hz or 120 Hz Low Pass 80 Hz High-Pass enable/disable for XLR loop thru.
Signal Processing:	DSP based, resident in Input Module
System Management:	DSP based limiters for mechanical and thermal protection.
AC Power Operating Range:	90-132 VAC or 216-264 VAC, 50/60Hz
AC Line Voltage:	User selectable: 120V/240V (-15%, +10%)
AC Input Connector:	Neutrik PowerCon (NAC 3MPA)
AC Loop Through Connector:	Neutrik PowerCon (NAC 3MPB)
AC Current Requirements:	6A per system at 120V, 3A per system at 240V
Enclosure:	18 mm birch plywood.
Suspension / Mounting:	Optional VRX-AF line-array frame kit or 10 mm forged eyebolts
Finish:	Black DuraFlex™ finish
Grille:	Powder coated, black, 16-gauge perforated steel with acoustically transparent foam
Dimensions (H x W x D):	508 mm x 597 mm x 749 mm (20.0 in x 23.5 in x 29.5 in)
Net Weight:	38.5 kg (85 lb)
Optional Accessories:	VRX-AF array frame SRX718S-CVR: Pull-over padded cover (works with WK-4S) SS4-BK adjustable satellite speaker pole WK-4S Caster kit

¹Measured with IEC shaped noise in free field conditions.

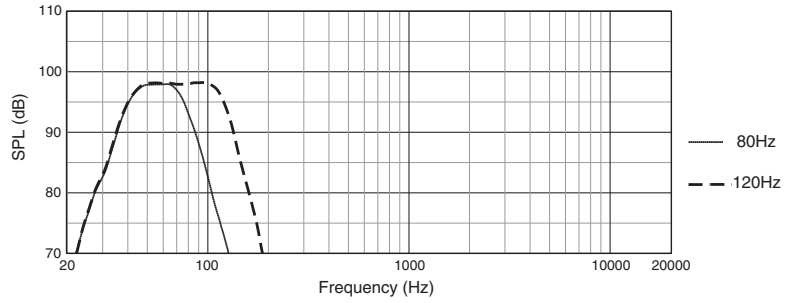
JBL continually engages in research related to product improvement. Some materials, production methods and design refinements are introduced into existing products without notice as a routine expression of that philosophy. For this reason, any current JBL product may differ in some respect from its published description, but will always equal or exceed the original design specifications unless otherwise stated.

► VRX918SP 18" Bass Reflex Powered Subwoofer

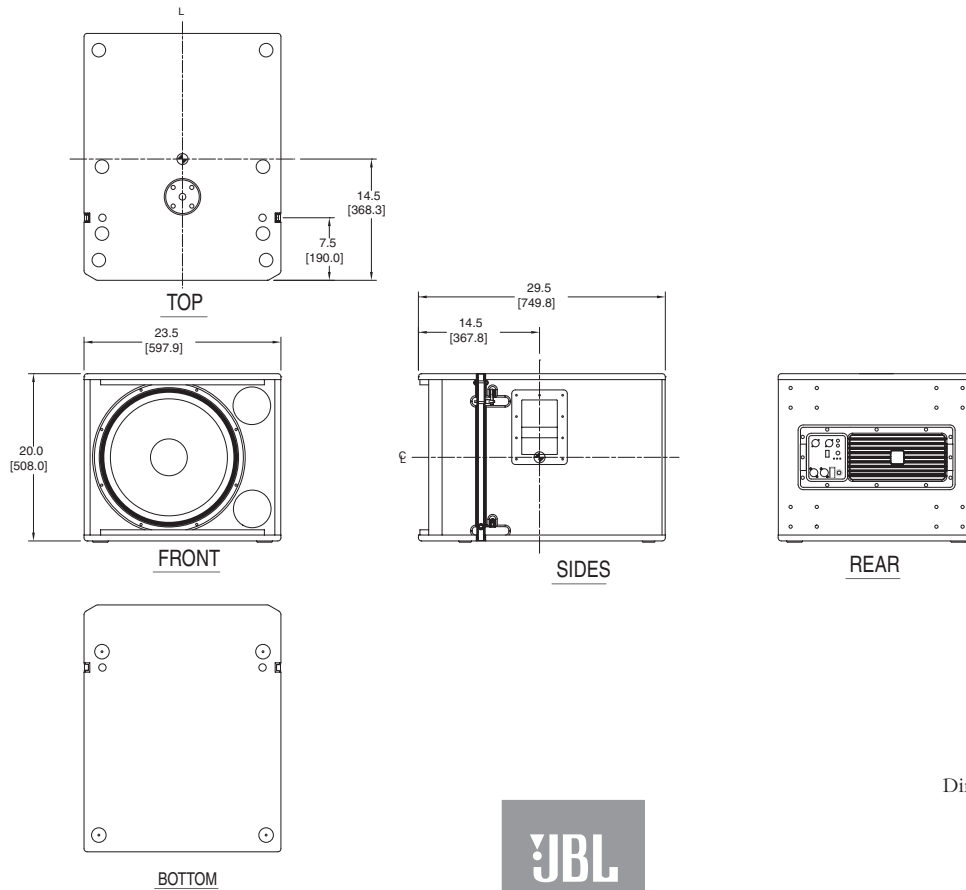
Amp Input Panel



Frequency Response



Dimensions



Dimensions in inches (mm)



JBL Professional
8500 Balboa Boulevard, P.O. Box 2200
Northridge, California 91329 U.S.A.

■ A Harman International Company
© Copyright 2007 JBL Professional

SS VRX918SP
CRP 5M
10/07